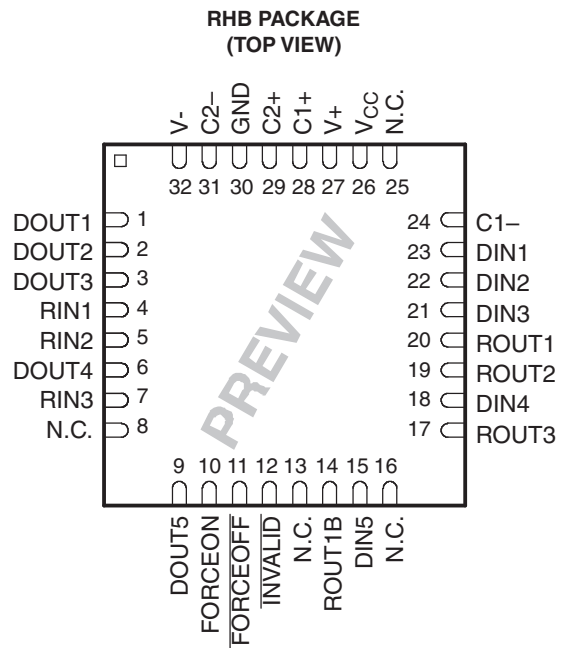
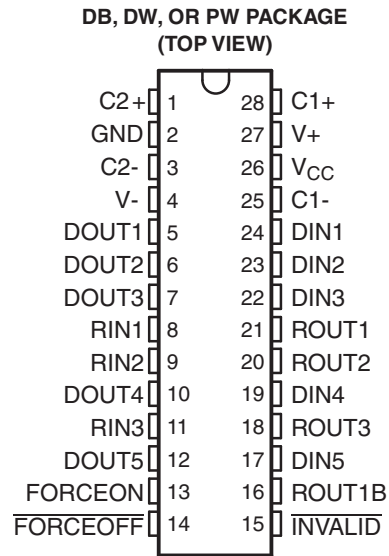


FEATURES

- RS-232 Bus-Pin ESD Protection Exceeds ± 15 kV Using Human-Body Model (HBM)
- Meets or Exceeds the Requirements of TIA/EIA-232-F and ITU v.28 Standards
- Operates With 3-V to 5.5-V V_{CC} Supply
- Operates up to 400 kbit/s
- Five Drivers and Three Receivers
- Auto-Powerdown Plus Feature Enables Flexible Power-Down Mode
- Low Standby Current . . . 1 μ A Typical
- External Capacitors . . . $4 \times 0.1 \mu$ F
- Accepts 5-V Logic Input With 3.3-V Supply
- Always-Active Noninverting Receiver Output (ROUT1B)
- Alternative High-Speed Pin-Compatible Device (1 Mbit/s) for TRSF3238
- ESD Protection for RS-232 Interface Pins
 - ± 15 kV – Human-Body Model (HBM)
 - ± 8 kV – IEC61000-4-2, Contact Discharge
 - ± 15 kV – IEC61000-4-2, Air-Gap Discharge

APPLICATIONS

- Battery-Powered Systems
- PDAs
- Notebooks
- Subnotebooks
- Laptops
- Palmtop PCs
- Hand-Held Equipment
- Modems
- Printers



N.C. - Not internally connected

DESCRIPTION/ORDERING INFORMATION

The TRS3238E consists of five line drivers, three line receivers, and a dual charge-pump circuit with ± 15 -kV ESD (HBM) protection on the driver output (DOUT) and receiver input (RIN) terminals. The device meets the requirements of TIA/EIA-232-F and provides the electrical interface between notebook and subnotebook computer applications. The charge pump and four small external capacitors allow operation from a single 3-V to 5.5-V supply. In addition, the device includes an always-active noninverting output (ROUT1B), which allows applications using the ring indicator to transmit data while the device is powered down. This device operates at data signaling rates up to 250 kbit/s and a maximum of 30-V/ μ s driver output slew rate.



Please be aware that an important notice concerning availability, standard warranty, and use in critical applications of Texas Instruments semiconductor products and disclaimers thereto appears at the end of this data sheet.

TRS3238E
3-V TO 5.5-V MULTICHANNEL RS-232 LINE DRIVER/RECEIVER
WITH ±15-kV ESD (HBM) PROTECTION

SLLS797–JUNE 2007

DESCRIPTION/ORDERING INFORMATION (CONTINUED)

Flexible control options for power management are featured when the serial port and driver inputs are inactive. The auto-powerdown plus feature functions when FORCEON is low and FORCEOFF is high. During this mode of operation, if the device does not sense valid signal transitions on all receiver and driver inputs for approximately 30 s, the built-in charge pump and drivers are powered down, reducing the supply current to 1 μA. By disconnecting the serial port or placing the peripheral drivers off, auto-powerdown plus occurs if there is no activity in the logic levels for the driver inputs. Auto-powerdown plus can be disabled when FORCEON and FORCEOFF are high. With auto-powerdown plus enabled, the device activates automatically when a valid signal is applied to any receiver or driver input. INVALID is high (valid data) if any receiver input voltage is greater than 2.7 V or less than –2.7 V, or has been between –0.3 V and 0.3 V for less than 30 μs. INVALID is low (invalid data) if all receiver input voltages are between –0.3 V and 0.3 V for more than 30 μs. Refer to Figure 5 for receiver input levels.

ORDERING INFORMATION

| T _A | PACKAGE ⁽¹⁾⁽²⁾ | | ORDERABLE PART NUMBER | TOP-SIDE MARKING |
|----------------|---------------------------|---------------|-----------------------|------------------|
| 0°C to 70°C | SSOP – DB | Tube of 50 | TRS3238ECDB | TRS3238EC |
| | | Reel of 2000 | TRS3238ECDBR | |
| | TSSOP – PW | Tube of 50 | TRS3238ECPW | RS38EC |
| | | Reel of 2000 | TRS3238ECPWR | |
| | SOIC – DW | Reel of 2000 | TRS3238ECDWR | TRS3238EC |
| QFN – RHB | Reel of 2000 | TRS3238ECRHBR | PREVIEW | |
| –40°C to 85°C | SSOP – DB | Tube of 50 | TRS3238EIDB | TRS3238EI |
| | | Reel of 2000 | TRS3238EIDBR | |
| | TSSOP – PW | Tube of 50 | TRS3238EIPW | RS38EI |
| | | Reel of 2000 | TRS3238EIPWR | |
| | SOIC – DW | Reel of 2000 | TRS3238ICDWR | TRS3238EI |
| QFN – RHB | Reel of 2000 | TRS3238EIRHBR | PREVIEW | |

- (1) Package drawings, standard packing quantities, thermal data, symbolization, and PCB design guidelines are available at www.ti.com/sc/package.
- (2) For the most current package and ordering information, see the Package Option Addendum at the end of this document, or see the TI website at www.ti.com.

FUNCTION TABLES
Each Driver⁽¹⁾

| INPUTS | | | | OUTPUT DOUT | DRIVER STATUS |
|--------|---------|------------------------------|--|----------------|---|
| DIN | FORCEON | $\overline{\text{FORCEOFF}}$ | TIME ELAPSED SINCE LAST RIN OR DIN TRANSITION | | |
| X | X | L | X | Z | Powered off |
| L | H | H | X | H | Normal operation with auto-powerdown plus disabled |
| H | H | H | X | L | |
| L | L | H | <30 s | H | Normal operation with auto-powerdown plus enabled |
| H | L | H | <30 s | L | |
| L | L | H | >30 s | Z | Powered off by auto-powerdown plus feature |
| H | L | H | >30 s | Z | |

(1) H = high level, L = low level, X = irrelevant, Z = high impedance

Each Receiver⁽¹⁾

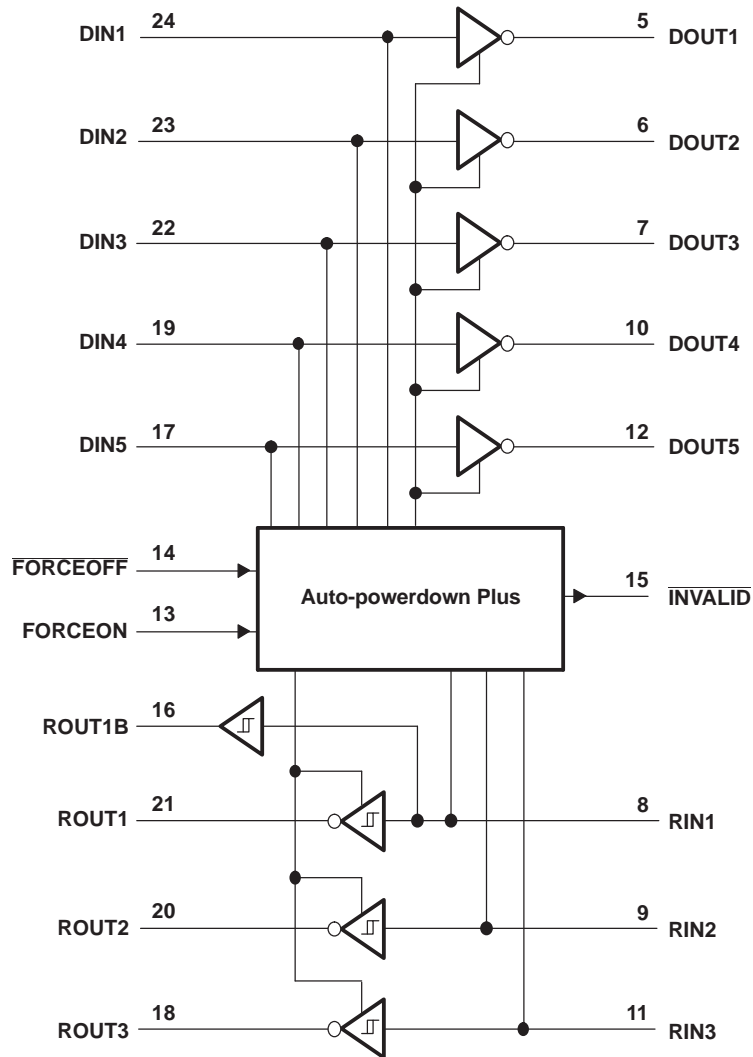
| INPUTS | | | | OUTPUTS | | RECEIVER STATUS |
|--------|-----------|------------------------------|--|---------|--------------------|--|
| RIN1 | RIN2–RIN3 | $\overline{\text{FORCEOFF}}$ | TIME ELAPSED SINCE LAST RIN OR DIN TRANSITION | ROUT1B | ROUT2 AND ROUT3 | |
| L | X | L | X | L | Z | Powered off while ROUT1B is active |
| H | X | L | X | H | Z | |
| L | L | H | <30 s | L | H | Normal operation with auto-powerdown plus disabled/enabled |
| L | H | H | <30 s | L | L | |
| H | L | H | <30 s | H | H | |
| H | H | H | <30 s | H | L | |
| Open | Open | H | <30 s | L | H | |

(1) H = high level, L = low level, X = irrelevant, Z = high impedance (off), Open = input disconnected or connected driver off

TRS3238E
3-V TO 5.5-V MULTICHANNEL RS-232 LINE DRIVER/RECEIVER
WITH ± 15 -kV ESD (HBM) PROTECTION

SLLS797–JUNE 2007

LOGIC DIAGRAM (POSITIVE LOGIC)



Absolute Maximum Ratings⁽¹⁾

over operating free-air temperature range (unless otherwise noted)

| | | MIN | MAX | UNIT | |
|------------------|---|----------------------------|-------|-----------------------|------|
| V _{CC} | Supply voltage range ⁽²⁾ | –0.3 | 6 | V | |
| V+ | Positive-output supply voltage range ⁽²⁾ | –0.3 | 7 | V | |
| V– | Negative-output supply voltage range ⁽²⁾ | 0.3 | –7 | V | |
| V+ – V– | Supply voltage difference ⁽²⁾ | | 13 | V | |
| V _I | Input voltage range | Driver (FORCEOFF, FORCEON) | –0.3 | 6 | V |
| | | Receiver | –25 | 25 | |
| V _O | Output voltage range | Driver | –13.2 | 13.2 | V |
| | | Receiver (INVALID) | –0.3 | V _{CC} + 0.3 | |
| θ _{JA} | Package thermal impedance ⁽³⁾⁽⁴⁾ | DB package | | 62 | °C/W |
| | | DW package | | 46 | |
| | | PW package | | 62 | |
| | | RHB package | | PREVIEW | |
| T _J | Operating virtual junction temperature | | 150 | °C | |
| T _{stg} | Storage temperature range | –65 | 150 | °C | |

- Stresses beyond those listed under "absolute maximum ratings" may cause permanent damage to the device. These are stress ratings only, and functional operation of the device at these or any other conditions beyond those indicated under "recommended operating conditions" is not implied. Exposure to absolute-maximum-rated conditions for extended periods may affect device reliability.
- All voltages are with respect to network GND.
- Maximum power dissipation is a function of T_J(max), θ_{JA}, and T_A. The maximum allowable power dissipation at any allowable ambient temperature is P_D = (T_J(max) – T_A)/θ_{JA}. Operating at the absolute maximum T_J of 150°C can affect reliability.
- The package thermal impedance is calculated in accordance with JESD 51-7.

Recommended Operating Conditions⁽¹⁾

See Figure 6

| | | MIN | NOM | MAX | UNIT | |
|-----------------|---|-------------------------|-------------------------|-----|------|---|
| Supply voltage | | V _{CC} = 3.3 V | 3 | 3.3 | 3.6 | V |
| | | V _{CC} = 5 V | 4.5 | 5 | 5.5 | |
| V _{IH} | Driver and control high-level input voltage | DIN, FORCEOFF, FORCEON | V _{CC} = 3.3 V | 2 | 5.5 | V |
| | | | V _{CC} = 5 V | 2.4 | 5.5 | |
| V _{IL} | Driver and control low-level input voltage | DIN, FORCEOFF, FORCEON | | 0 | 0.8 | V |
| V _I | Receiver input voltage | | | –25 | 25 | V |
| T _A | Operating free-air temperature | TRS3238EC | 0 | 70 | °C | |
| | | TRS3238EI | –40 | 85 | | |

- Testing supply conditions are C1–C4 = 0.1 μF at V_{CC} = 3.3 V ± 0.15 V; C1–C4 = 0.22 μF at V_{CC} = 3.3 V ± 0.3 V; and C1 = 0.047 μF and C2–C4 = 0.33 μF at V_{CC} = 5 V ± 0.5 V.

Electrical Characteristics⁽¹⁾

over recommended ranges of supply voltage and operating free-air temperature (unless otherwise noted) (see Figure 6)

| PARAMETER | | TEST CONDITIONS | MIN | TYP ⁽²⁾ | MAX | UNIT |
|-----------------|--|------------------------------|---|--------------------|-----|------|
| I _I | Input leakage current | FORCEOFF, FORCEON | | ±0.01 | ±1 | μA |
| I _{CC} | Supply current (T _A = 25°C) | Auto-powerdown plus disabled | No load, FORCEOFF and FORCEON at V _{CC} | 0.5 | 2 | mA |
| | | Powered off | No load, FORCEOFF at GND | 1 | 10 | |
| | | Auto-powerdown plus enabled | No load, FORCEOFF at V _{CC} , FORCEON at GND, All RIN are open or grounded | 1 | 10 | μA |

- Testing supply conditions are C1–C4 = 0.1 μF at V_{CC} = 3.3 V ± 0.15 V; C1–C4 = 0.22 μF at V_{CC} = 3.3 V ± 0.3 V; and C1 = 0.047 μF and C2–C4 = 0.33 μF at V_{CC} = 5 V ± 0.5 V.
- All typical values are at V_{CC} = 3.3 V or V_{CC} = 5 V, and T_A = 25°C.

TRS3238E
3-V TO 5.5-V MULTICHANNEL RS-232 LINE DRIVER/RECEIVER
WITH ±15-kV ESD (HBM) PROTECTION

SLLS797–JUNE 2007

DRIVER SECTION

Electrical Characteristics⁽¹⁾

over recommended ranges of supply voltage and operating free-air temperature (unless otherwise noted) (see [Figure 6](#))

| PARAMETER | | TEST CONDITIONS | MIN | TYP ⁽²⁾ | MAX | UNIT |
|-----------------|---|---|--|--------------------|------|------|
| V _{OH} | High-level output voltage | All DOUT at R _L = 3 kΩ to GND | 5 | 5.4 | | V |
| V _{OL} | Low-level output voltage | All DOUT at R _L = 3 kΩ to GND | –5 | –5.4 | | V |
| I _{IH} | High-level input current | V _I = V _{CC} | | ±0.01 | ±1 | μA |
| I _{IL} | Low-level input current | V _I at GND | | ±0.01 | ±1 | μA |
| I _{OS} | Short-circuit output current ⁽³⁾ | V _{CC} = 3.6 V, V _O = 0 V | | ±35 | ±60 | mA |
| | | V _{CC} = 5.5 V, V _O = 0 V | | ±40 | ±100 | |
| r _o | Output resistance | V _{CC} , V+, and V– = 0 V, V _O = ±2 V | 300 | 10M | | Ω |
| I _{OZ} | Output leakage current | FORCEOFF = GND | V _O = ±12 V, V _{CC} = 3 V to 3.6 V | | ±25 | μA |
| | | | V _O = ±10 V, V _{CC} = 4.5 V to 5.5 V | | ±25 | |

- (1) Testing supply conditions are C1–C4 = 0.1 μF at V_{CC} = 3.3 V ± 0.15 V; C1–C4 = 0.22 μF at V_{CC} = 3.3 V ± 0.3 V; and C1 = 0.047 μF and C2–C4 = 0.33 μF at V_{CC} = 5 V ± 0.5 V.
- (2) All typical values are at V_{CC} = 3.3 V or V_{CC} = 5 V, and T_A = 25°C.
- (3) Short-circuit durations should be controlled to prevent exceeding the device absolute power dissipation ratings, and not more than one output should be shorted at a time.

Switching Characteristics⁽¹⁾

over recommended ranges of supply voltage and operating free-air temperature (unless otherwise noted) (see [Figure 6](#))

| PARAMETER | | TEST CONDITIONS | MIN | TYP ⁽²⁾ | MAX | UNIT |
|--------------------|--|---|------------------------------------|--------------------|-----|--------|
| | Maximum data rate | C _L = 1000 pF, R _L = 3 kΩ, One DOUT switching, See Figure 1 | 250 | 400 | | kbit/s |
| t _{sk(p)} | Pulse skew ⁽³⁾ | C _L = 150 pF to 2500 pF, R _L = 3 kΩ to 7 kΩ, See Figure 2 | | 100 | | ns |
| SR(tr) | Slew rate, transition region (see Figure 1) | V _{CC} = 3.3 V, R _L = 3 kΩ to 7 kΩ | C _L = 150 pF to 1000 pF | 6 | 30 | V/μs |
| | | | C _L = 150 pF to 2500 pF | 4 | 30 | |

- (1) Testing supply conditions are C1–C4 = 0.1 μF at V_{CC} = 3.3 V ± 0.15 V; C1–C4 = 0.22 μF at V_{CC} = 3.3 V ± 0.3 V; and C1 = 0.047 μF and C2–C4 = 0.33 μF at V_{CC} = 5 V ± 0.5 V.
- (2) All typical values are at V_{CC} = 3.3 V or V_{CC} = 5 V, and T_A = 25°C.
- (3) Pulse skew is defined as |t_{PLH} – t_{PHL}| of each channel of the same device.

ESD Protection

| PARAMETER | TEST CONDITIONS | TYP | UNIT |
|-----------|----------------------------------|-----|------|
| DOUT | HBM | ±15 | kV |
| | IEC 61000-4-2, Air-Gap Discharge | ±15 | |
| | IEC 61000-4-2, Contact Discharge | ±8 | |

RECEIVER SECTION

Electrical Characteristics⁽¹⁾

over recommended ranges of supply voltage and operating free-air temperature (unless otherwise noted) (see [Figure 6](#))

| PARAMETER | | TEST CONDITIONS | MIN | TYP ⁽²⁾ | MAX | UNIT |
|------------------|---|--------------------------------|-----------------------|-----------------------|-----|------|
| V _{OH} | High-level output voltage | I _{OH} = -1 mA | V _{CC} - 0.6 | V _{CC} - 0.1 | | V |
| V _{OL} | Low-level output voltage | I _{OL} = 1.6 mA | | | 0.4 | V |
| V _{IT+} | Positive-going input threshold voltage | V _{CC} = 3.3 V | | 1.5 | 2.4 | V |
| | | V _{CC} = 5 V | | 1.8 | 2.4 | |
| V _{IT-} | Negative-going input threshold voltage | V _{CC} = 3.3 V | 0.6 | 1.2 | | V |
| | | V _{CC} = 5 V | 0.8 | 1.5 | | |
| V _{hys} | Input hysteresis (V _{IT+} - V _{IT-}) | | | 0.3 | | V |
| I _{OZ} | Output leakage current (except ROUT1B) | FORCEOFF = 0 V | | ±0.05 | ±10 | µA |
| r _i | Input resistance | V _i = ±3 V to ±25 V | 3 | 5 | 7 | kΩ |

(1) Testing supply conditions are C1–C4 = 0.1 µF at V_{CC} = 3.3 V ± 0.15 V; C1–C4 = 0.22 µF at V_{CC} = 3.3 V ± 0.3 V; and C1 = 0.047 µF and C2–C4 = 0.33 µF at V_{CC} = 5 V ± 0.5 V.

(2) All typical values are at V_{CC} = 3.3 V or V_{CC} = 5 V, and T_A = 25°C.

Switching Characteristics⁽¹⁾

over recommended ranges of supply voltage and operating free-air temperature (unless otherwise noted)

| PARAMETER | | TEST CONDITIONS | TYP ⁽²⁾ | UNIT |
|--------------------|---|--|--------------------|------|
| t _{PLH} | Propagation delay time, low- to high-level output | C _L = 150 pF, See Figure 3 | 150 | ns |
| t _{PHL} | Propagation delay time, high- to low-level output | C _L = 150 pF, See Figure 3 | 150 | ns |
| t _{en} | Output enable time | C _L = 150 pF, R _L = 3 kΩ, See Figure 4 | 200 | ns |
| t _{dis} | Output disable time | C _L = 150 pF, R _L = 3 kΩ, See Figure 4 | 200 | ns |
| t _{sk(p)} | Pulse skew ⁽³⁾ | See Figure 3 | 50 | ns |

(1) Testing supply conditions are C1–C4 = 0.1 µF at V_{CC} = 3.3 V ± 0.15 V; C1–C4 = 0.22 µF at V_{CC} = 3.3 V ± 0.3 V; and C1 = 0.047 µF and C2–C4 = 0.33 µF at V_{CC} = 5 V ± 0.5 V.

(2) All typical values are at V_{CC} = 3.3 V or V_{CC} = 5 V, and T_A = 25°C.

(3) Pulse skew is defined as |t_{PLH} - t_{PHL}| of each channel of the same device.

ESD Protection

| PARAMETER | TEST CONDITIONS | TYP | UNIT |
|-----------|----------------------------------|-----|------|
| RIN | HBM | ±15 | kV |
| | IEC 61000-4-2, Air-Gap Discharge | ±15 | |
| | IEC 61000-4-2, Contact Discharge | ±8 | |

TRS3238E
3-V TO 5.5-V MULTICHANNEL RS-232 LINE DRIVER/RECEIVER
WITH ± 15 -kV ESD (HBM) PROTECTION

SLLS797–JUNE 2007

AUTO-POWERDOWN PLUS SECTION

Electrical Characteristics

over recommended ranges of supply voltage and operating free-air temperature (unless otherwise noted) (see [Figure 5](#))

| PARAMETER | | TEST CONDITIONS | MIN | MAX | UNIT |
|------------------|---|--|----------------|-----|------|
| $V_{T+(valid)}$ | Receiver input threshold for $\overline{INVALID}$ high-level output voltage | FORCEON = GND, $\overline{FORCEOFF} = V_{CC}$ | | 2.7 | V |
| $V_{T-(valid)}$ | Receiver input threshold for $\overline{INVALID}$ high-level output voltage | FORCEON = GND, $\overline{FORCEOFF} = V_{CC}$ | -2.7 | | V |
| $V_{T(invalid)}$ | Receiver input threshold for $\overline{INVALID}$ low-level output voltage | FORCEON = GND, $\overline{FORCEOFF} = V_{CC}$ | -0.3 | 0.3 | V |
| V_{OH} | $\overline{INVALID}$ high-level output voltage | $I_{OH} = -1$ mA, FORCEON = GND, $\overline{FORCEOFF} = V_{CC}$ | $V_{CC} - 0.6$ | | V |
| V_{OL} | $\overline{INVALID}$ low-level output voltage | $I_{OL} = 1.6$ mA, FORCEON = GND, $\overline{FORCEOFF} = V_{CC}$ | | 0.4 | V |

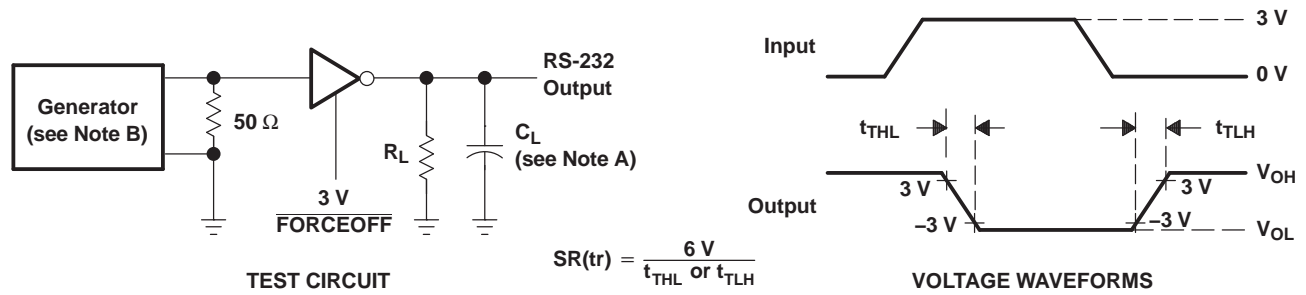
Switching Characteristics

over recommended ranges of supply voltage and operating free-air temperature (unless otherwise noted) (see [Figure 5](#))

| PARAMETER | | MIN | TYP ⁽¹⁾ | MAX | UNIT |
|---------------|---|-----|--------------------|-----|---------|
| t_{valid} | Propagation delay time, low- to high-level output | | 0.1 | | μ s |
| $t_{invalid}$ | Propagation delay time, high- to low-level output | | 50 | | μ s |
| t_{en} | Supply enable time | | 25 | | μ s |
| t_{dis} | Receiver or driver edge to auto-powerdown plus | 15 | 30 | 60 | s |

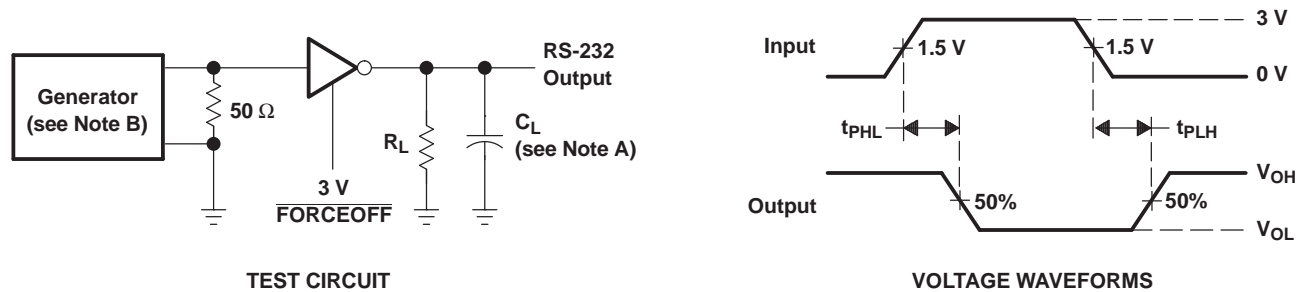
(1) All typical values are at $V_{CC} = 3.3$ V or $V_{CC} = 5$ V, and $T_A = 25^\circ\text{C}$.

PARAMETER MEASUREMENT INFORMATION



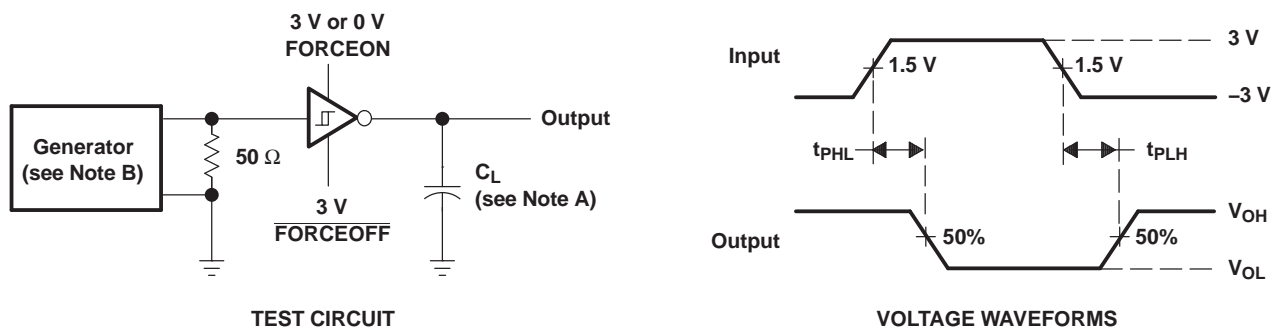
- A. C_L includes probe and jig capacitance.
- B. The pulse generator has the following characteristics: PRR = 250 kbit/s, $Z_O = 50 \Omega$, 50% duty cycle, $t_r \leq 10$ ns, $t_f \leq 10$ ns.

Figure 1. Driver Slew Rate



- A. C_L includes probe and jig capacitance.
- B. The pulse generator has the following characteristics: PRR = 250 kbit/s, $Z_O = 50 \Omega$, 50% duty cycle, $t_r \leq 10$ ns, $t_f \leq 10$ ns.

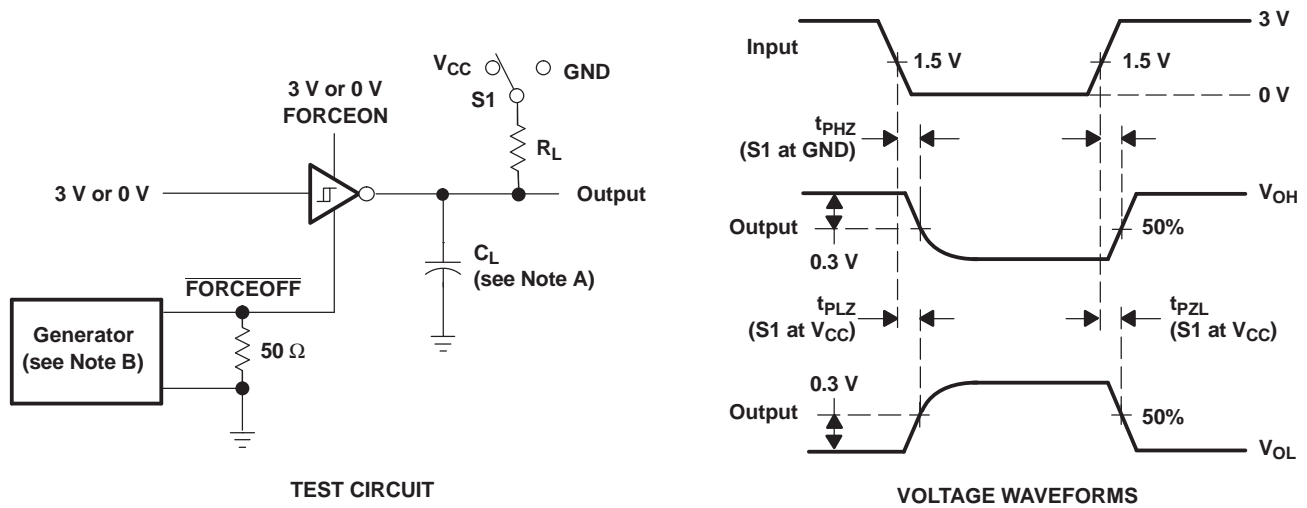
Figure 2. Driver Pulse Skew



- A. C_L includes probe and jig capacitance.
- B. The pulse generator has the following characteristics: $Z_O = 50 \Omega$, 50% duty cycle, $t_r \leq 10$ ns, $t_f \leq 10$ ns.

Figure 3. Receiver Propagation Delay Times

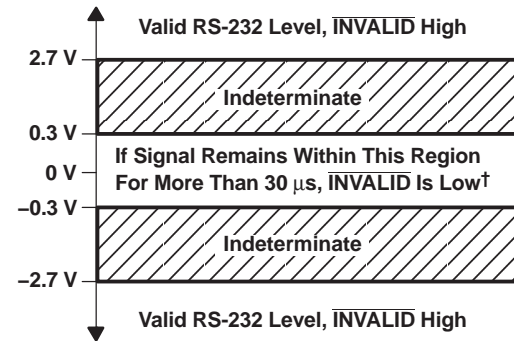
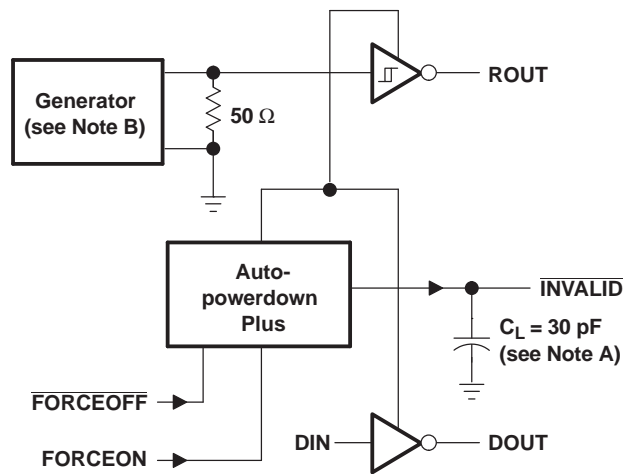
PARAMETER MEASUREMENT INFORMATION (continued)



- A. C_L includes probe and jig capacitance.
- B. The pulse generator has the following characteristics: $Z_O = 50 \Omega$, 50% duty cycle, $t_r \leq 10$ ns, $t_f \leq 10$ ns.
- C. t_{PLZ} and t_{PHZ} are the same as t_{dis} .
- D. t_{PZL} and t_{PZH} are the same as t_{en} .

Figure 4. Receiver Enable and Disable Times

PARAMETER MEASUREMENT INFORMATION (continued)



† Auto-powerdown plus disables drivers and reduces supply current to 1 μA.

TEST CIRCUIT

- NOTES: A. C_L includes probe and jig capacitance.
B. The pulse generator has the following characteristics: PRR = 5 kbit/s, $Z_O = 50 \Omega$, 50% duty cycle, $t_r \leq 10$ ns, $t_f \leq 10$ ns.

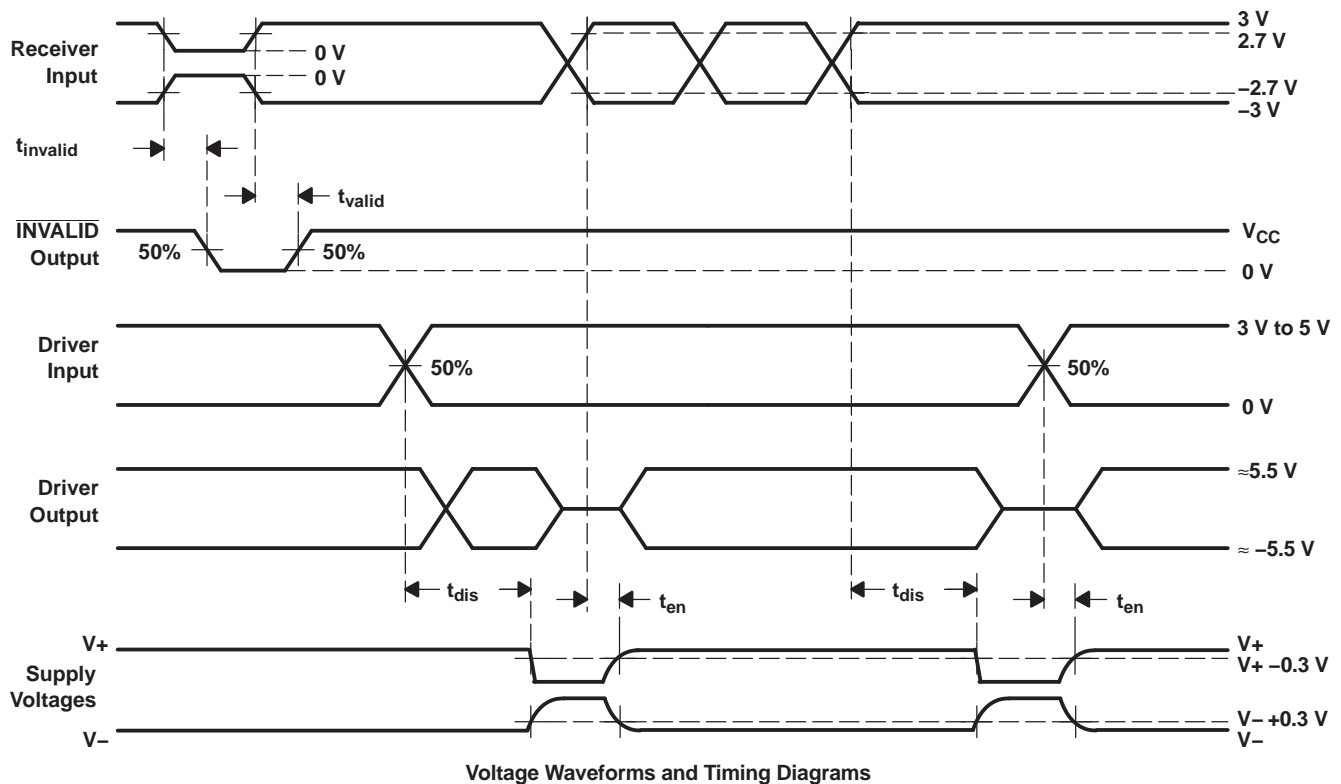
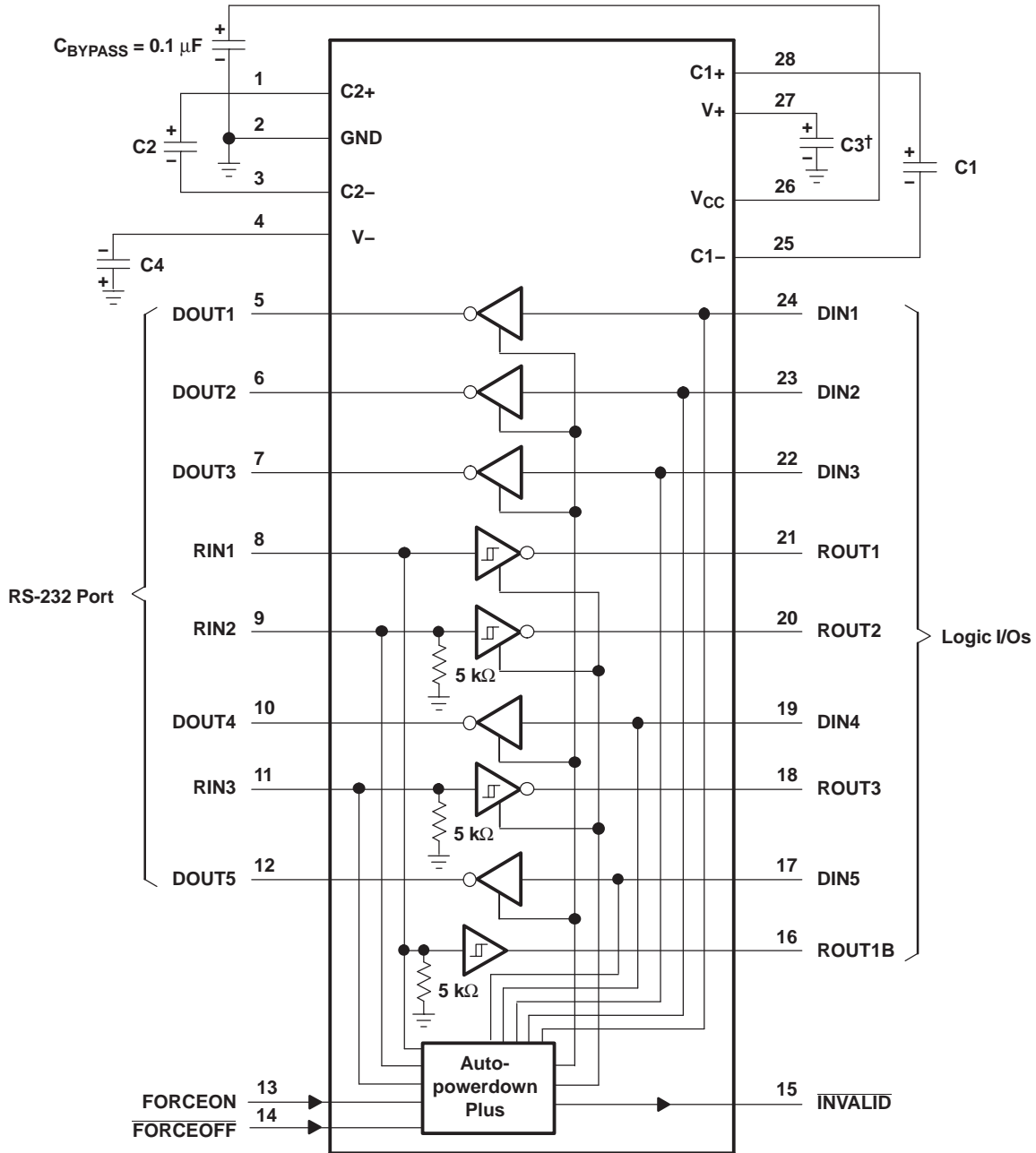


Figure 5. $\overline{INVALID}$ Propagation-Delay Times and Supply-Enabling Time

APPLICATION INFORMATION



V_{CC} vs CAPACITOR VALUES

| V _{CC} | C1 | C2, C3, and C4 |
|-----------------|----------|----------------|
| 3.3 V ± 0.15 V | 0.1 μF | 0.1 μF |
| 3.3 V ± 0.3 V | 0.22 μF | 0.22 μF |
| 5 V ± 0.5 V | 0.047 μF | 0.33 μF |
| 3 V to 5.5 V | 0.22 μF | 1 μF |

† C3 can be connected to V_{CC} or GND.

NOTES: A. Resistor values shown are nominal.

B. Nonpolarized ceramic capacitors are acceptable. If polarized tantalum or electrolytic capacitors are used, they should be connected as shown.

Figure 6. Typical Operating Circuit and Capacitor Values

PACKAGING INFORMATION

| Orderable Device | Status ⁽¹⁾ | Package Type | Package Drawing | Pins | Package Qty | Eco Plan ⁽²⁾ | Lead/Ball Finish | MSL Peak Temp ⁽³⁾ |
|------------------|-----------------------|--------------|-----------------|------|-------------|-------------------------|------------------|------------------------------|
| TRS3238ECDB | ACTIVE | SSOP | DB | 28 | 50 | Green (RoHS & no Sb/Br) | CU NIPDAU | Level-1-260C-UNLIM |
| TRS3238ECDBG4 | ACTIVE | SSOP | DB | 28 | 50 | Green (RoHS & no Sb/Br) | CU NIPDAU | Level-1-260C-UNLIM |
| TRS3238ECDBR | ACTIVE | SSOP | DB | 28 | 2000 | Green (RoHS & no Sb/Br) | CU NIPDAU | Level-1-260C-UNLIM |
| TRS3238ECDBRG4 | ACTIVE | SSOP | DB | 28 | 2000 | Green (RoHS & no Sb/Br) | CU NIPDAU | Level-1-260C-UNLIM |
| TRS3238ECDW | ACTIVE | SOIC | DW | 28 | 20 | Green (RoHS & no Sb/Br) | CU NIPDAU | Level-1-260C-UNLIM |
| TRS3238ECDWG4 | ACTIVE | SOIC | DW | 28 | 20 | Green (RoHS & no Sb/Br) | CU NIPDAU | Level-1-260C-UNLIM |
| TRS3238ECDWR | ACTIVE | SOIC | DW | 28 | 1000 | Green (RoHS & no Sb/Br) | CU NIPDAU | Level-1-260C-UNLIM |
| TRS3238ECDWRG4 | ACTIVE | SOIC | DW | 28 | 1000 | Green (RoHS & no Sb/Br) | CU NIPDAU | Level-1-260C-UNLIM |
| TRS3238ECPW | ACTIVE | TSSOP | PW | 28 | 50 | Green (RoHS & no Sb/Br) | CU NIPDAU | Level-1-260C-UNLIM |
| TRS3238ECPWG4 | ACTIVE | TSSOP | PW | 28 | 50 | Green (RoHS & no Sb/Br) | CU NIPDAU | Level-1-260C-UNLIM |
| TRS3238ECPWR | ACTIVE | TSSOP | PW | 28 | 2000 | Green (RoHS & no Sb/Br) | CU NIPDAU | Level-1-260C-UNLIM |
| TRS3238ECPWRG4 | ACTIVE | TSSOP | PW | 28 | 2000 | Green (RoHS & no Sb/Br) | CU NIPDAU | Level-1-260C-UNLIM |
| TRS3238EIDB | ACTIVE | SSOP | DB | 28 | 50 | Green (RoHS & no Sb/Br) | CU NIPDAU | Level-1-260C-UNLIM |
| TRS3238EIDBG4 | ACTIVE | SSOP | DB | 28 | 50 | Green (RoHS & no Sb/Br) | CU NIPDAU | Level-1-260C-UNLIM |
| TRS3238EIDBR | ACTIVE | SSOP | DB | 28 | 2000 | Green (RoHS & no Sb/Br) | CU NIPDAU | Level-1-260C-UNLIM |
| TRS3238EIDBRG4 | ACTIVE | SSOP | DB | 28 | 2000 | Green (RoHS & no Sb/Br) | CU NIPDAU | Level-1-260C-UNLIM |
| TRS3238EIDW | ACTIVE | SOIC | DW | 28 | 20 | Green (RoHS & no Sb/Br) | CU NIPDAU | Level-1-260C-UNLIM |
| TRS3238EIDWG4 | ACTIVE | SOIC | DW | 28 | 20 | Green (RoHS & no Sb/Br) | CU NIPDAU | Level-1-260C-UNLIM |
| TRS3238EIDWR | ACTIVE | SOIC | DW | 28 | 1000 | Green (RoHS & no Sb/Br) | CU NIPDAU | Level-1-260C-UNLIM |
| TRS3238EIDWRG4 | ACTIVE | SOIC | DW | 28 | 1000 | Green (RoHS & no Sb/Br) | CU NIPDAU | Level-1-260C-UNLIM |
| TRS3238EIPW | ACTIVE | TSSOP | PW | 28 | 50 | Green (RoHS & no Sb/Br) | CU NIPDAU | Level-1-260C-UNLIM |
| TRS3238EIPWG4 | ACTIVE | TSSOP | PW | 28 | 50 | Green (RoHS & no Sb/Br) | CU NIPDAU | Level-1-260C-UNLIM |
| TRS3238EIPWR | ACTIVE | TSSOP | PW | 28 | 2000 | Green (RoHS & no Sb/Br) | CU NIPDAU | Level-1-260C-UNLIM |
| TRS3238EIPWRG4 | ACTIVE | TSSOP | PW | 28 | 2000 | Green (RoHS & no Sb/Br) | CU NIPDAU | Level-1-260C-UNLIM |

⁽¹⁾ The marketing status values are defined as follows:

ACTIVE: Product device recommended for new designs.

LIFEBUY: TI has announced that the device will be discontinued, and a lifetime-buy period is in effect.

NRND: Not recommended for new designs. Device is in production to support existing customers, but TI does not recommend using this part in a new design.

PREVIEW: Device has been announced but is not in production. Samples may or may not be available.

OBSOLETE: TI has discontinued the production of the device.

⁽²⁾ Eco Plan - The planned eco-friendly classification: Pb-Free (RoHS), Pb-Free (RoHS Exempt), or Green (RoHS & no Sb/Br) - please check <http://www.ti.com/productcontent> for the latest availability information and additional product content details.

TBD: The Pb-Free/Green conversion plan has not been defined.

Pb-Free (RoHS): TI's terms "Lead-Free" or "Pb-Free" mean semiconductor products that are compatible with the current RoHS requirements for all 6 substances, including the requirement that lead not exceed 0.1% by weight in homogeneous materials. Where designed to be soldered at high temperatures, TI Pb-Free products are suitable for use in specified lead-free processes.

Pb-Free (RoHS Exempt): This component has a RoHS exemption for either 1) lead-based flip-chip solder bumps used between the die and package, or 2) lead-based die adhesive used between the die and leadframe. The component is otherwise considered Pb-Free (RoHS compatible) as defined above.

Green (RoHS & no Sb/Br): TI defines "Green" to mean Pb-Free (RoHS compatible), and free of Bromine (Br) and Antimony (Sb) based flame retardants (Br or Sb do not exceed 0.1% by weight in homogeneous material)

⁽³⁾ MSL, Peak Temp. -- The Moisture Sensitivity Level rating according to the JEDEC industry standard classifications, and peak solder temperature.

Important Information and Disclaimer:The information provided on this page represents TI's knowledge and belief as of the date that it is provided. TI bases its knowledge and belief on information provided by third parties, and makes no representation or warranty as to the accuracy of such information. Efforts are underway to better integrate information from third parties. TI has taken and continues to take reasonable steps to provide representative and accurate information but may not have conducted destructive testing or chemical analysis on incoming materials and chemicals. TI and TI suppliers consider certain information to be proprietary, and thus CAS numbers and other limited information may not be available for release.

In no event shall TI's liability arising out of such information exceed the total purchase price of the TI part(s) at issue in this document sold by TI to Customer on an annual basis.

TAPE AND REEL INFORMATION



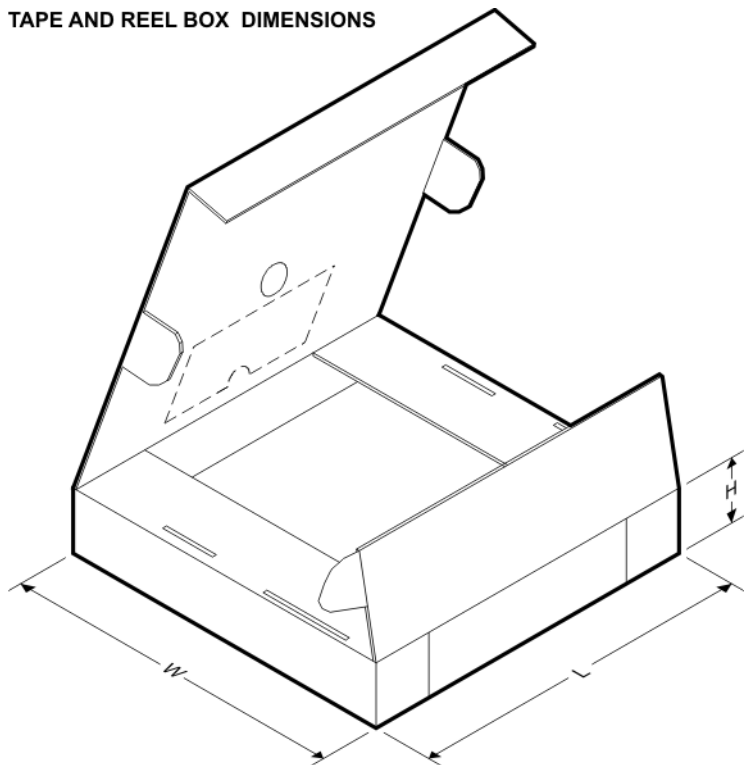
QUADRANT ASSIGNMENTS FOR PIN 1 ORIENTATION IN TAPE



*All dimensions are nominal

| Device | Package Type | Package Drawing | Pins | SPQ | Reel Diameter (mm) | Reel Width W1 (mm) | A0 (mm) | B0 (mm) | K0 (mm) | P1 (mm) | W (mm) | Pin1 Quadrant |
|--------------|--------------|-----------------|------|------|--------------------|--------------------|---------|---------|---------|---------|--------|---------------|
| TRS3238ECDBR | SSOP | DB | 28 | 2000 | 330.0 | 16.4 | 8.2 | 10.5 | 2.5 | 12.0 | 16.0 | Q1 |
| TRS3238ECDWR | SOIC | DW | 28 | 1000 | 330.0 | 32.4 | 11.35 | 18.67 | 3.1 | 16.0 | 32.0 | Q1 |
| TRS3238ECPWR | TSSOP | PW | 28 | 2000 | 330.0 | 16.4 | 7.1 | 10.4 | 1.6 | 12.0 | 16.0 | Q1 |
| TRS3238EIDBR | SSOP | DB | 28 | 2000 | 330.0 | 16.4 | 8.2 | 10.5 | 2.5 | 12.0 | 16.0 | Q1 |
| TRS3238EIDWR | SOIC | DW | 28 | 1000 | 330.0 | 32.4 | 11.35 | 18.67 | 3.1 | 16.0 | 32.0 | Q1 |
| TRS3238EIPWR | TSSOP | PW | 28 | 2000 | 330.0 | 16.4 | 7.1 | 10.4 | 1.6 | 12.0 | 16.0 | Q1 |

TAPE AND REEL BOX DIMENSIONS



*All dimensions are nominal

| Device | Package Type | Package Drawing | Pins | SPQ | Length (mm) | Width (mm) | Height (mm) |
|--------------|--------------|-----------------|------|------|-------------|------------|-------------|
| TRS3238ECDBR | SSOP | DB | 28 | 2000 | 346.0 | 346.0 | 33.0 |
| TRS3238ECDWR | SOIC | DW | 28 | 1000 | 346.0 | 346.0 | 49.0 |
| TRS3238ECPWR | TSSOP | PW | 28 | 2000 | 346.0 | 346.0 | 33.0 |
| TRS3238EIDBR | SSOP | DB | 28 | 2000 | 346.0 | 346.0 | 33.0 |
| TRS3238EIDWR | SOIC | DW | 28 | 1000 | 346.0 | 346.0 | 49.0 |
| TRS3238EIPWR | TSSOP | PW | 28 | 2000 | 346.0 | 346.0 | 33.0 |

PW (R-PDSO-G**)

PLASTIC SMALL-OUTLINE PACKAGE

14 PINS SHOWN

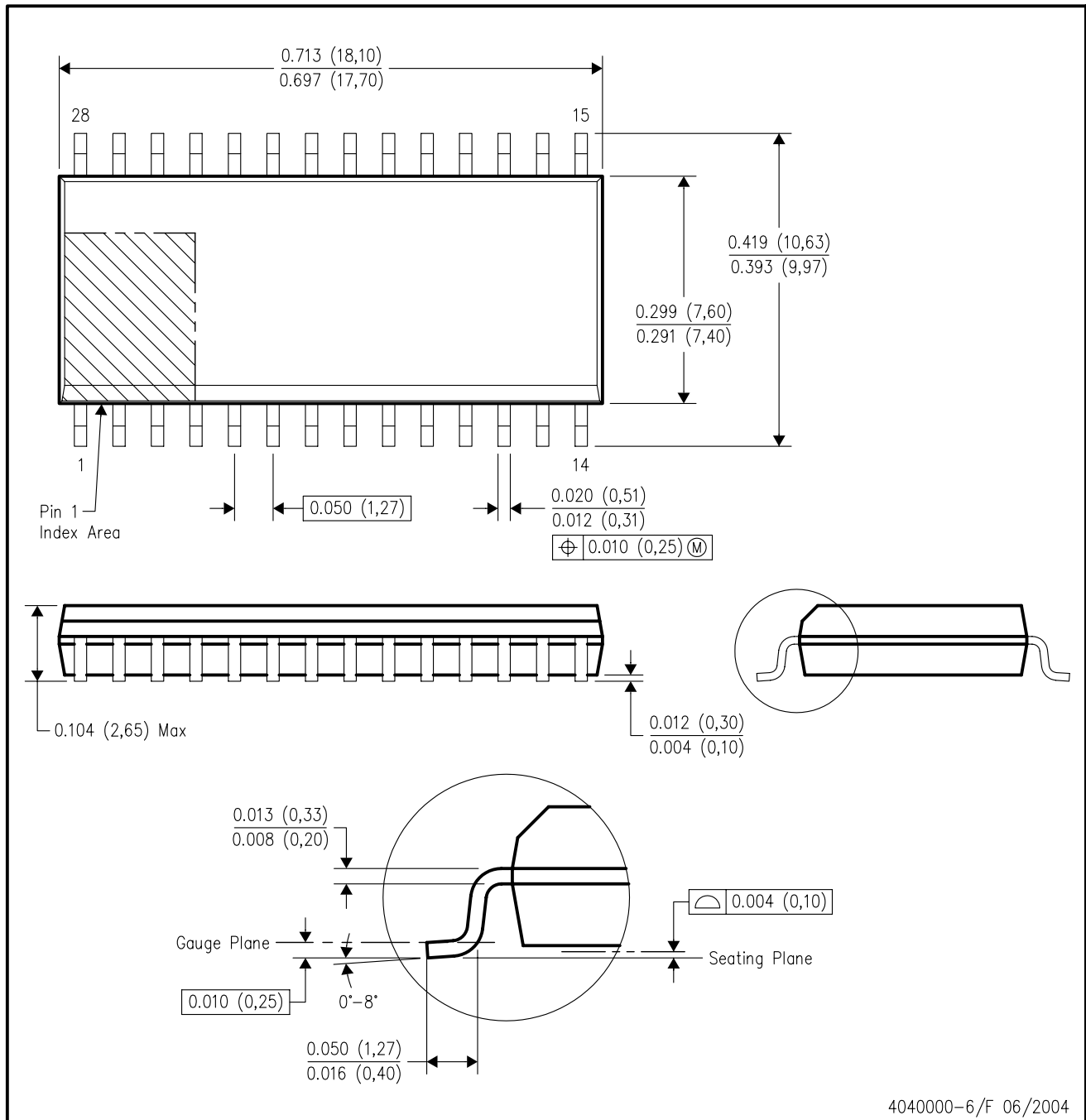


4040064/F 01/97

- NOTES: A. All linear dimensions are in millimeters.
 B. This drawing is subject to change without notice.
 C. Body dimensions do not include mold flash or protrusion not to exceed 0,15.
 D. Falls within JEDEC MO-153

DW (R-PDSO-G28)

PLASTIC SMALL-OUTLINE PACKAGE



- NOTES:
- A. All linear dimensions are in inches (millimeters).
 - B. This drawing is subject to change without notice.
 - C. Body dimensions do not include mold flash or protrusion not to exceed 0.006 (0,15).
 - D. Falls within JEDEC MS-013 variation AE.

IMPORTANT NOTICE

Texas Instruments Incorporated and its subsidiaries (TI) reserve the right to make corrections, modifications, enhancements, improvements, and other changes to its products and services at any time and to discontinue any product or service without notice. Customers should obtain the latest relevant information before placing orders and should verify that such information is current and complete. All products are sold subject to TI's terms and conditions of sale supplied at the time of order acknowledgment.

TI warrants performance of its hardware products to the specifications applicable at the time of sale in accordance with TI's standard warranty. Testing and other quality control techniques are used to the extent TI deems necessary to support this warranty. Except where mandated by government requirements, testing of all parameters of each product is not necessarily performed.

TI assumes no liability for applications assistance or customer product design. Customers are responsible for their products and applications using TI components. To minimize the risks associated with customer products and applications, customers should provide adequate design and operating safeguards.

TI does not warrant or represent that any license, either express or implied, is granted under any TI patent right, copyright, mask work right, or other TI intellectual property right relating to any combination, machine, or process in which TI products or services are used. Information published by TI regarding third-party products or services does not constitute a license from TI to use such products or services or a warranty or endorsement thereof. Use of such information may require a license from a third party under the patents or other intellectual property of the third party, or a license from TI under the patents or other intellectual property of TI.

Reproduction of TI information in TI data books or data sheets is permissible only if reproduction is without alteration and is accompanied by all associated warranties, conditions, limitations, and notices. Reproduction of this information with alteration is an unfair and deceptive business practice. TI is not responsible or liable for such altered documentation. Information of third parties may be subject to additional restrictions.

Resale of TI products or services with statements different from or beyond the parameters stated by TI for that product or service voids all express and any implied warranties for the associated TI product or service and is an unfair and deceptive business practice. TI is not responsible or liable for any such statements.

TI products are not authorized for use in safety-critical applications (such as life support) where a failure of the TI product would reasonably be expected to cause severe personal injury or death, unless officers of the parties have executed an agreement specifically governing such use. Buyers represent that they have all necessary expertise in the safety and regulatory ramifications of their applications, and acknowledge and agree that they are solely responsible for all legal, regulatory and safety-related requirements concerning their products and any use of TI products in such safety-critical applications, notwithstanding any applications-related information or support that may be provided by TI. Further, Buyers must fully indemnify TI and its representatives against any damages arising out of the use of TI products in such safety-critical applications.

TI products are neither designed nor intended for use in military/aerospace applications or environments unless the TI products are specifically designated by TI as military-grade or "enhanced plastic." Only products designated by TI as military-grade meet military specifications. Buyers acknowledge and agree that any such use of TI products which TI has not designated as military-grade is solely at the Buyer's risk, and that they are solely responsible for compliance with all legal and regulatory requirements in connection with such use.

TI products are neither designed nor intended for use in automotive applications or environments unless the specific TI products are designated by TI as compliant with ISO/TS 16949 requirements. Buyers acknowledge and agree that, if they use any non-designated products in automotive applications, TI will not be responsible for any failure to meet such requirements.

Following are URLs where you can obtain information on other Texas Instruments products and application solutions:

Products

| | |
|-----------------------------|--|
| Amplifiers | amplifier.ti.com |
| Data Converters | dataconverter.ti.com |
| DSP | dsp.ti.com |
| Clocks and Timers | www.ti.com/clocks |
| Interface | interface.ti.com |
| Logic | logic.ti.com |
| Power Mgmt | power.ti.com |
| Microcontrollers | microcontroller.ti.com |
| RFID | www.ti-rfid.com |
| RF/IF and ZigBee® Solutions | www.ti.com/lprf |

Applications

| | |
|--------------------|--|
| Audio | www.ti.com/audio |
| Automotive | www.ti.com/automotive |
| Broadband | www.ti.com/broadband |
| Digital Control | www.ti.com/digitalcontrol |
| Medical | www.ti.com/medical |
| Military | www.ti.com/military |
| Optical Networking | www.ti.com/opticalnetwork |
| Security | www.ti.com/security |
| Telephony | www.ti.com/telephony |
| Video & Imaging | www.ti.com/video |
| Wireless | www.ti.com/wireless |

Mailing Address: Texas Instruments, Post Office Box 655303, Dallas, Texas 75265
Copyright © 2008, Texas Instruments Incorporated